

# Cantilever parasol 3×3 m and Ø 3.5 m with ground sleeve

## Dimensions of foundation

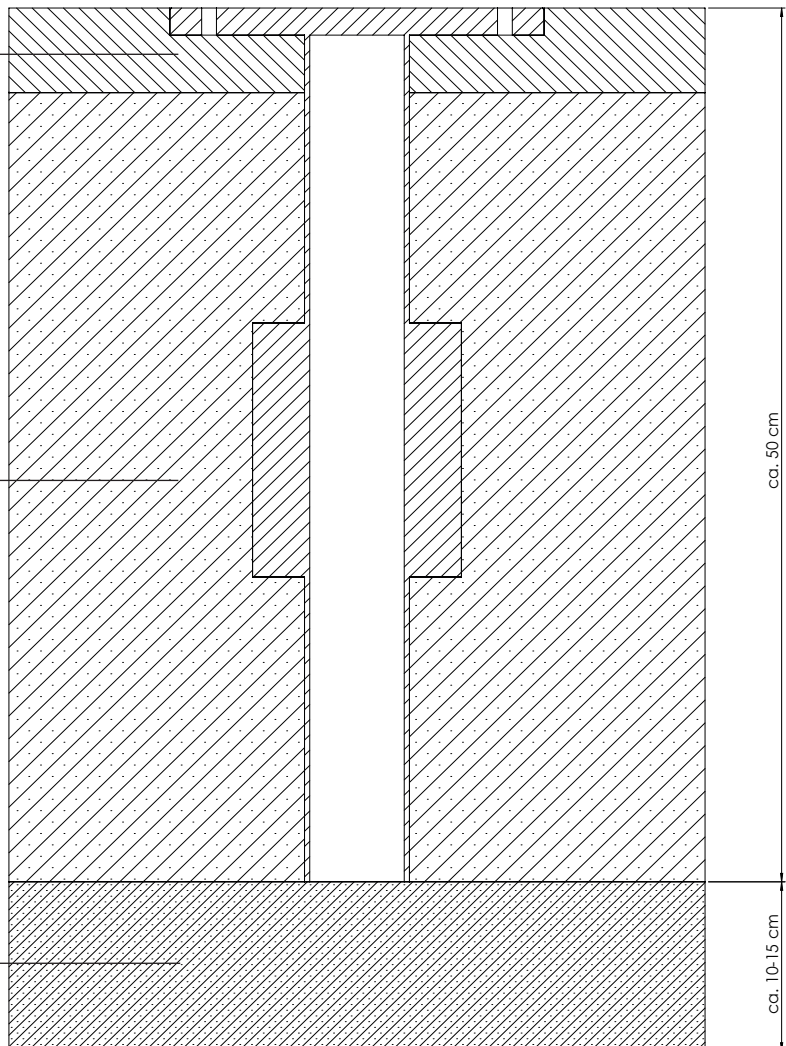
60 × 60 × 50 cm (L × W × H)

## Floor type

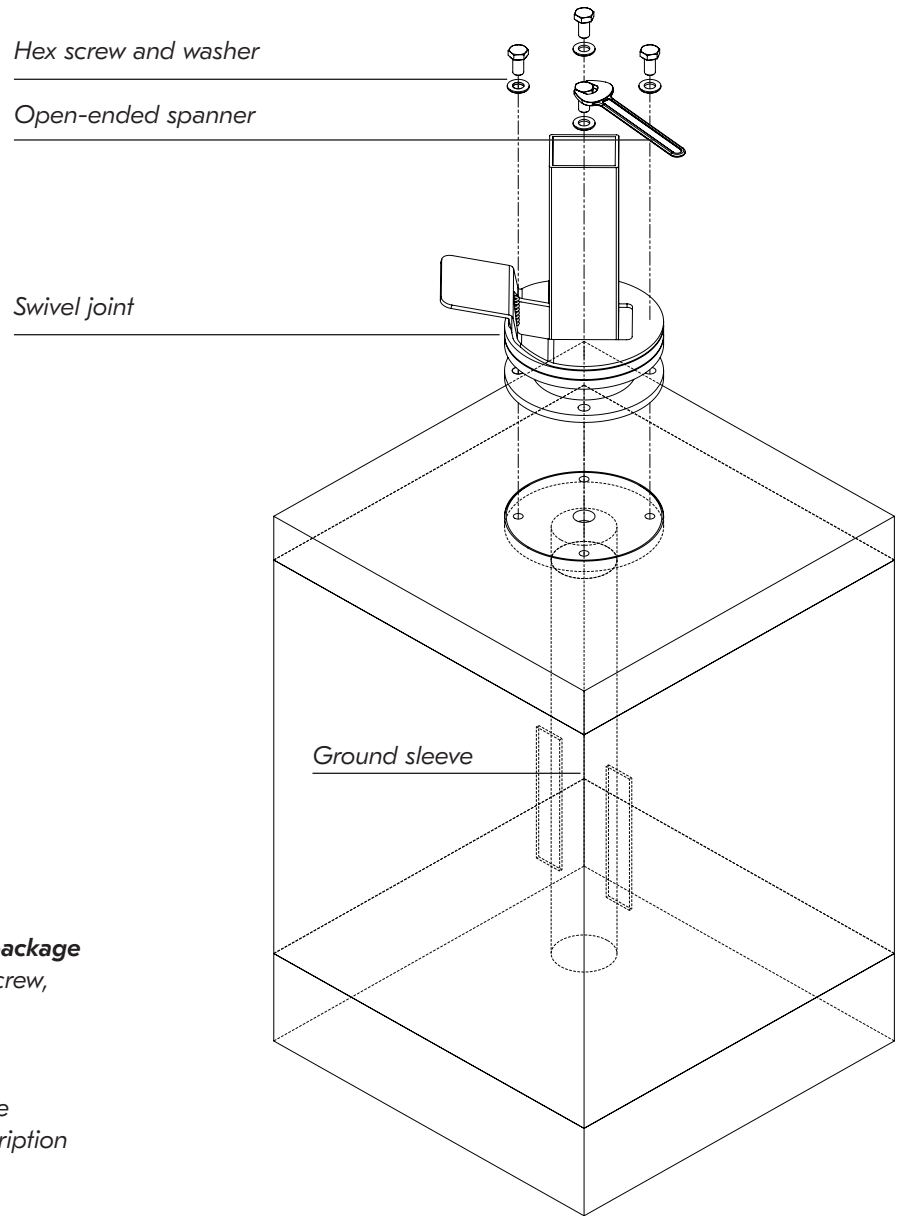
## Concrete

Ready-mixed concrete (DIY store) or lean concrete. Setting time: at least 24 hours, ideally 48 hours

## Gravel bed



## Assembly of screw-on sleeve



### Scope of delivery of ground sleeve package

1 × ground sleeve, 4 × countersunk screw,  
1 × winter cover, 1 × Allen key

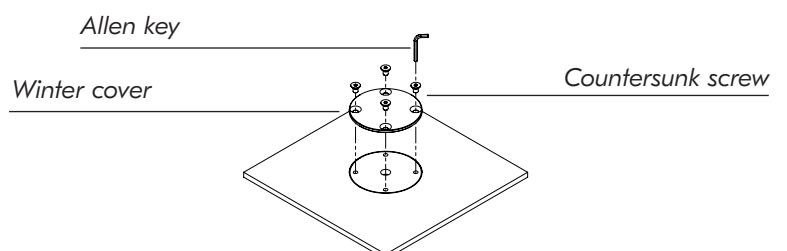
### Instructions

First set the ground sleeve in concrete according to the illustration and description and allow to dry sufficiently.

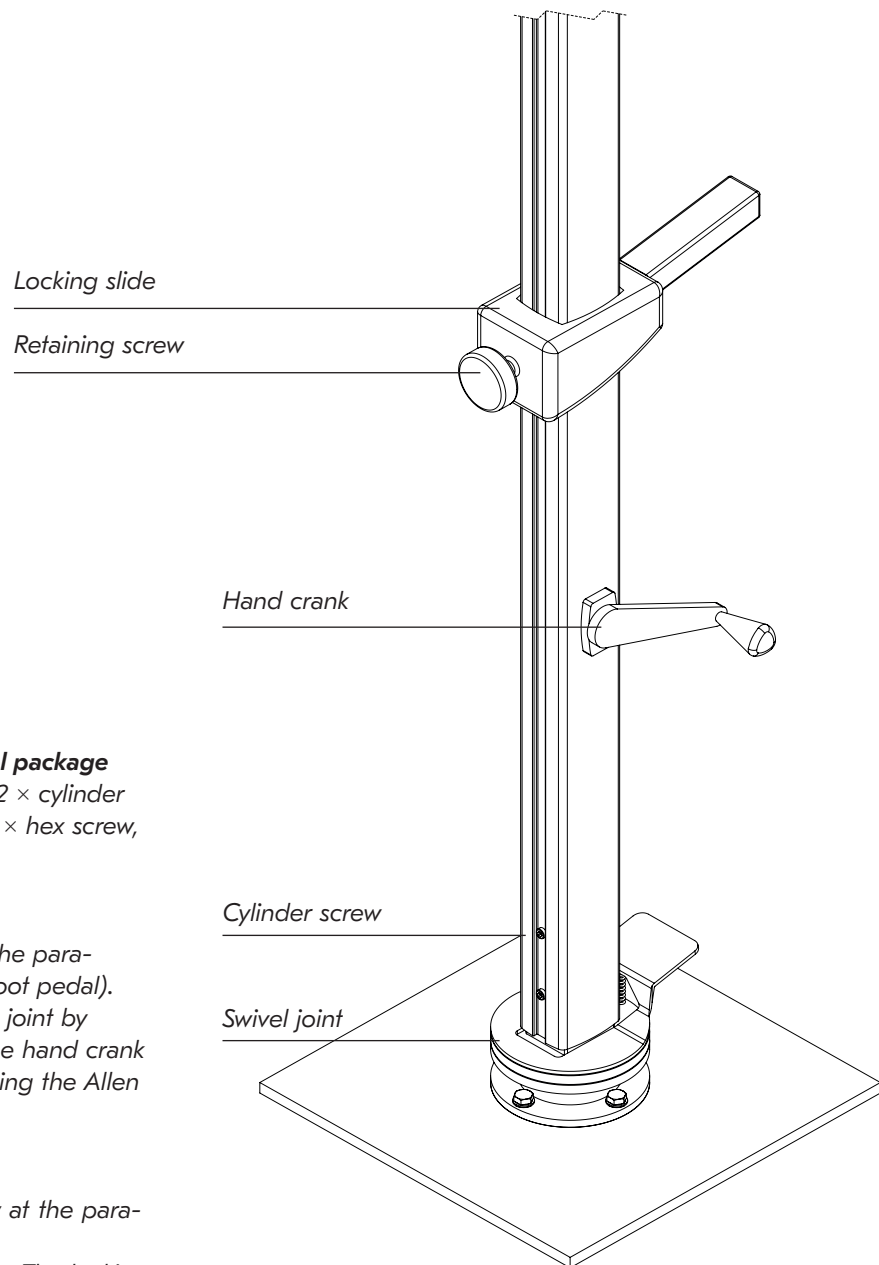
Then screw the swivel joint firmly onto the ground sleeve by means of the hexagon bolts and flat washers; you will need the open-ended spanner for this. As required, you can remove the parasol in winter and seal off the ground sleeve using the winter cover provided.

### Note

The swivel joint is included in the scope of delivery of the cantilever parasol.



## Cantilever parasol operation



### Scope of delivery of cantilever parasol package

1 × cantilever parasol, 1 × swivel joint, 2 × cylinder screw, 1 × Allen key, 1 × hand crank, 4 × hex screw, 4 × washer, 1 × open-ended spanner

### Assembly

Place the parasol on the swivel joint (the parasol must be on the same side as the foot pedal). Attach the umbrella pole to the swivel joint by means of the cylinder head screws. The hand crank is fitted onto the pin and tightened using the Allen key.

### Open parasol

1. Slightly loosen the retaining screw at the parasol pole
2. Crank to open the parasol canopy. The locking slide automatically moves up
3. You can now use the locking slide to manually adjust the parasol to the desired angle. Finally fix it with the retaining screw
4. You can rotate the parasol 360° by pressing the step pedal

### Note

When the parasol is closed, tie only the canopy (without the pole) with the tie straps.