

## ASSEMBLY INSTRUCTIONS

# TRIO BISTRO- AND BAR TABLE

### Scope of delivery:

1 x tabletop, 1 x table column with folding table adapter, 1 x tripod table leg, 1 x screw set for HPL tabletop (4 x M5 x 20 fillister head screw, 1 x Allen key 3 mm), 1 x screw set for teak tabletop (4 x M6 x 25 fillister head screw, 1 x Allen key 4 mm), 4 x washer for fillister head screws, 1 x M8 tubular socket wrench, 2 x M8 hex screw, 2 x washer

### Assembly:

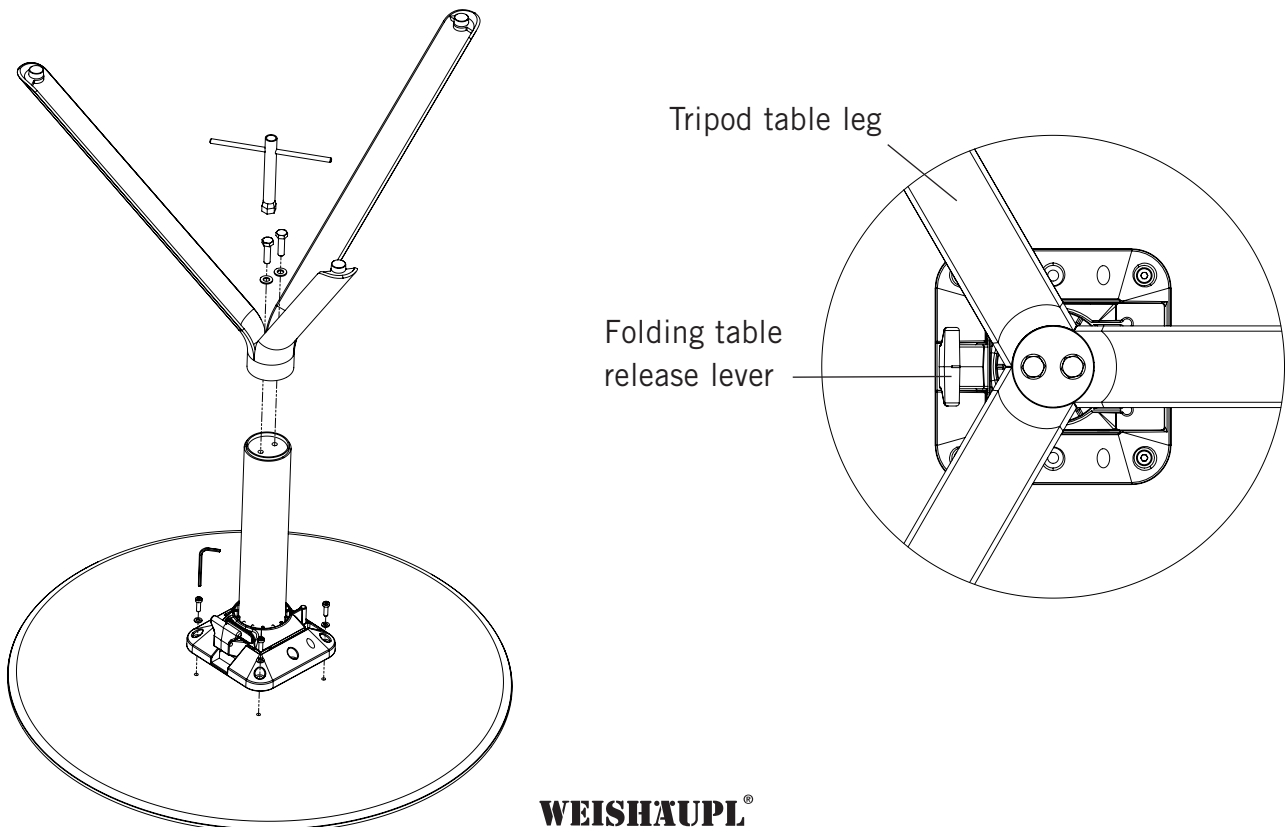
Place the table top on a flat, level surface with the bore holes facing upward.

The scope of delivery includes 2 different sets of screws. Please ensure you use the correct screws for the material of your tabletop! Now attach the table column with the folding table adapter to the tabletop using the 4 fillister head screws and washers.

At first, only lightly tighten the screws. Finally, tighten them firmly, working diagonally.

Now screw the tripod table leg to the tabletop in the position shown, using the two hex screws and washers.

The stability of the table can be finely adjusted with the help of the adjusting screws.



## ASSEMBLY INSTRUCTIONS

# TRIO SIDE TABLE

### Scope of delivery:

1 x tabletop, 1 x adapter plate, 1 x tripod table leg, 1 x screw set for HPL tabletop (4 x M5 x 10 countersunk screw, 1 x Allen key 3 mm), 1 x screw set for teak tabletop (4 x M6 x 16 countersunk screw, 1 x Allen key 4 mm), 1 x M8 tubular socket wrench, 2 x M8 hex screw, 2 x washer

### Assembly:

Place the table top on a flat, level surface with the bore holes facing upward.

The scope of delivery includes 2 different sets of screws. Please ensure you use the correct screws for the material of your tabletop! Now attach the adapter plate to the tabletop using the 4 countersunk screws.

At first, only lightly tighten the screws. Finally, tighten them firmly, working diagonally.

Now screw the tripod table leg to the adapter plate using the two hex screws and washers.

