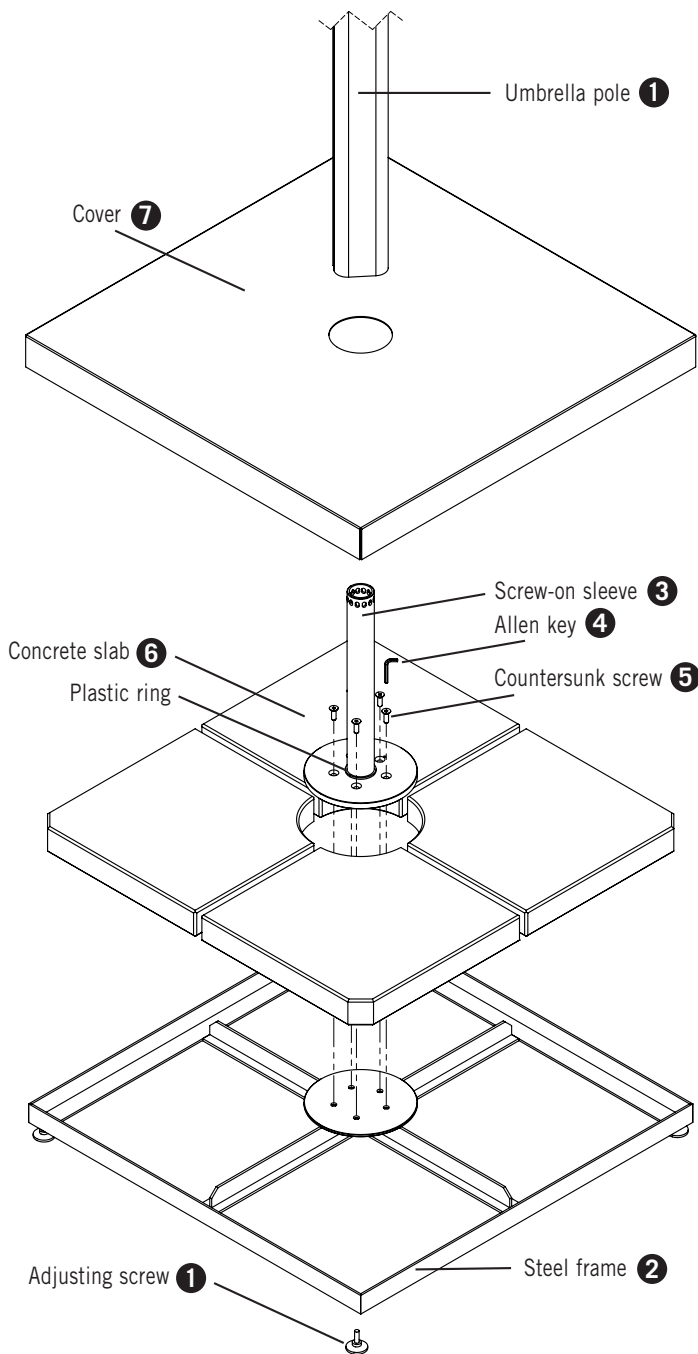


## ASSEMBLY INSTRUCTIONS

# BASE PLATE FOR CANTILEVER UMBRELLA – SCREW-ON SLEEVE FOR 4 X 4 M UMBRELLA MODEL



**Scope of delivery:** 1 x steel frame, incl. adjustable feet, 4 x concrete slab, 1 x cover, 5 x countersunk screw M10 x 30 mm, 1 x Allen key

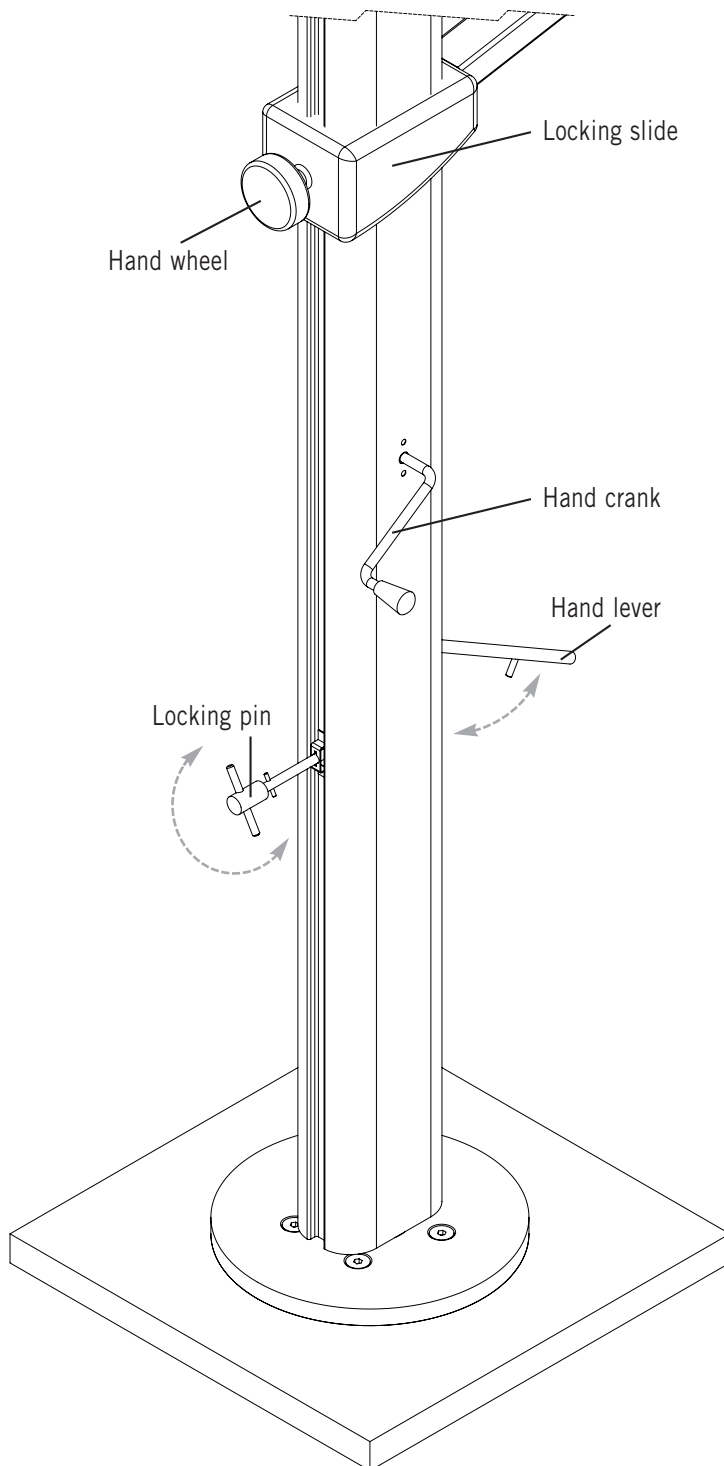
By turning the adjusting screws **1** in or out, you can compensate for minor unevenness in the sub-surface and ensure that your umbrella is standing securely.

Now place the steel frame **2** in its final position and use the Allen key **4** and countersunk screws **5** provided to attach the screw-on sleeve **3** as shown. Now insert the concrete slabs **6** and fit the cover **7**.

**The screw-on sleeve is included in the scope of delivery of the cantilever umbrella!**

## ASSEMBLY INSTRUCTIONS

# BASE PLATE FOR CANTILEVER UMBRELLA – SCREW-ON SLEEVE FOR 4 X 4 M UMBRELLA MODEL



**Scope of delivery:** 1 x cantilever umbrella, 1 x hand lever, 1 x screw-on sleeve

Fit the cantilever umbrella onto the fully installed screw-on sleeve. Use the locking pin to lock the umbrella in position. Turn the pin to lock it against the pole.

### Putting the umbrella up:

Step 1: Insert the hand crank.

Step 2: Release the hand wheel at the umbrella pole.

Step 3: Crank to open the umbrella canopy. (The locking slide automatically moves upward as you do so).

Step 4: Set the umbrella to the desired angle and tighten the hand wheel.

Fold out the hand lever and use it to rotate the umbrella into the desired position.