

ASSEMBLY INSTRUCTIONS

SCREW-ON SLEEVE FOR CONCRETE AND GRANITE BASE PLATE

Scope of delivery: 1 x base plate, 1 x sleeve, 1 x M12 hex screw, 1 x spring washer 20 mm \varnothing , 1 x washer 42 mm \varnothing , 1 x dowel pin (only with granite base plates), 2 x carry handle (only for concrete base plates of 75 kg or over)

ASSEMBLING THE SLEEVE:

On the underside of the sleeve, next to the center bore hole, there is a second, smaller hole. Using pliers and a hammer, knock the dowel pin approx. 6 mm into this bore hole.

Caution: Do not knock the dowel pin in all the way. At least half of the pin must protrude from the bore hole! (The dowel pin is ONLY required for the GRANITE BASE PLATE!)

Ideally, you should position the base plate vertically, allowing easy access to both sides. Now place the sleeve on the base plate so that the dowel pin fits into the recess in the base plate. (The dowel pin prevents the sleeve turning and loosening the screw). Take the hex screw, fit first the spring washer and then the washer onto it and insert the screw through the bore hole in the base plate from below. Turn in the screw, fastening it firmly to the sleeve (size 19 box wrench). For concrete base plates of 75 kg or over, screw in the carry handles until stop. Position the base plate and remove the carry handles again. Tripping hazard!

Now insert the umbrella into the sleeve and tighten the knurled screws.



ASSEMBLY INSTRUCTIONS

SCREW-ON SLEEVE FOR STEEL BASE PLATE

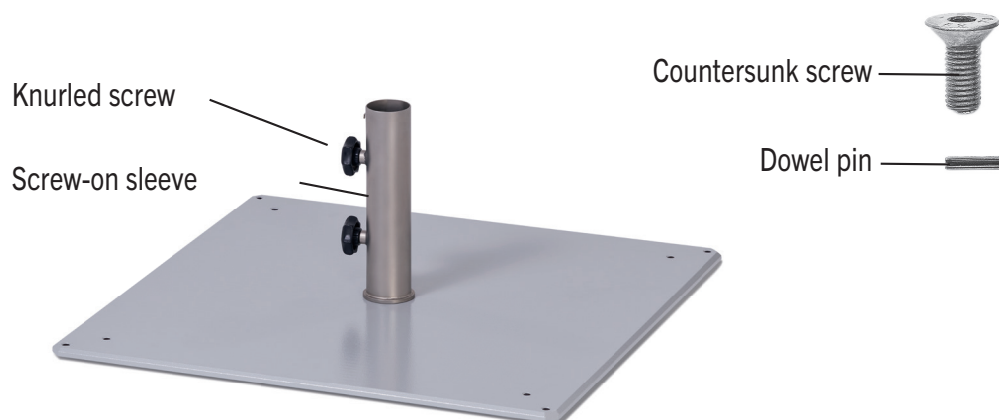
Scope of delivery: 1 x base plate, 1 x sleeve, 1 x dowel pin, 1 x M12 countersunk screw

ASSEMBLING THE SLEEVE:

On the underside of the sleeve, next to the center bore hole, there is a second, smaller bore hole. Using pliers and a hammer, knock the dowel pin approx. 6 mm into this bore hole. **Caution: do not knock the dowel pin in all the way. At least half of the pin must protrude from the bore hole!**

Ideally, you should position the base plate vertically, allowing easy access to both sides. Now place the sleeve on the base plate so that the dowel pin fits into the recess in the base plate. (The dowel pin prevents the sleeve turning and loosening the screw). Insert the countersunk screw through the bore hole in the base plate from below and screw it tightly to the sleeve (8 mm Allen key).

Now place the umbrella in the sleeve and tighten the knurled screws.



Steel BASE PLATE